

The logo for Krube, featuring the word "krube" in a bold, lowercase, sans-serif font. The letter "k" is black with a small orange dot above it. The letter "e" is black with a small blue dot above it. The logo is enclosed in a white circle with a blue border.

krube

SPECIFICATION

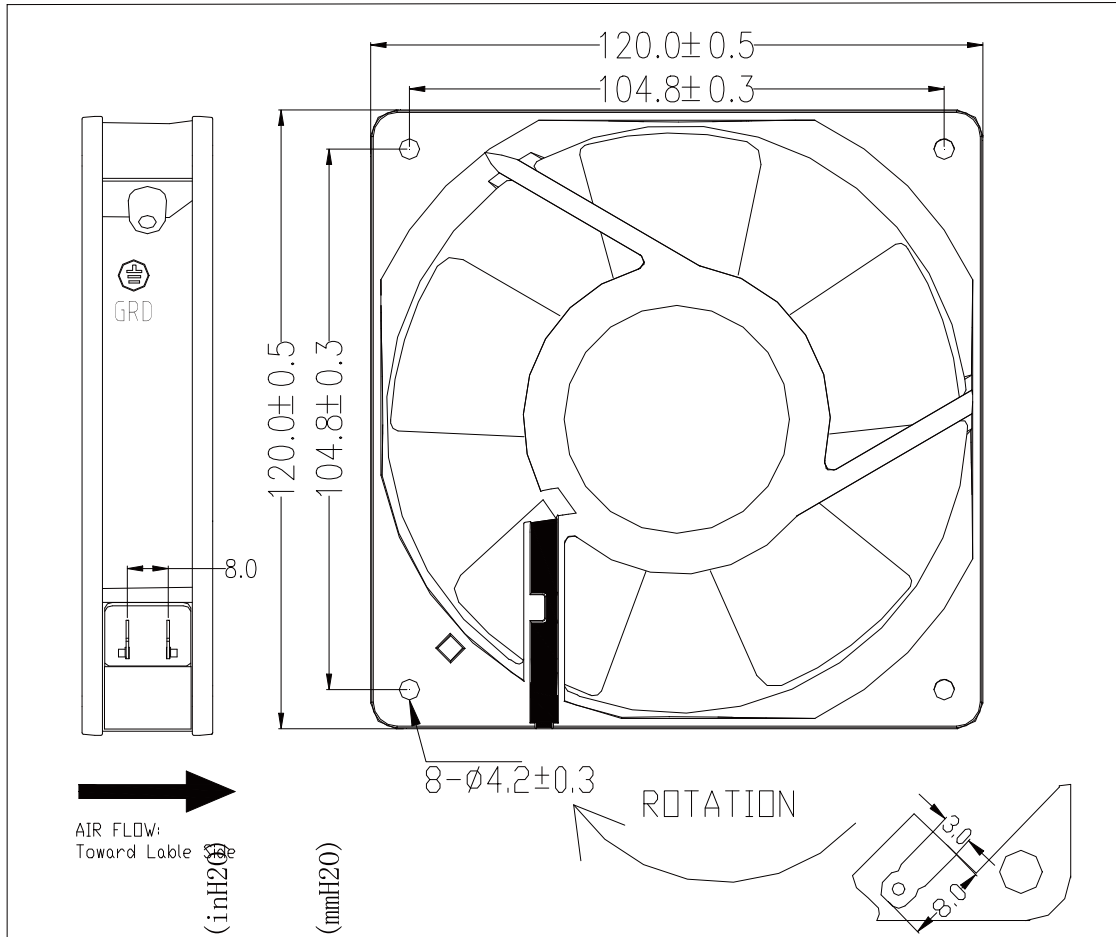
MODEL

K-AC12025-A230-24

NO	TEST ITEM	SPECIFICATION/CONDITION
1	Dimension	120x120x25mm
2	Bearing System	BALL BEARING
3	Rated Voltage	220 VAC
4	Operating Voltage	200 VAC—240 VAC
5	Start-up Voltage	160 VAC NORMALLY
6	Rated Current	0.09/0.07 Amp NORMALLY
7	Rated Power	14/11 Watt NORMALLY
8	Rated Speed	2400/2700 RPM±10%
9	Air Flow	1.76/1.98 m ³ /min (62/68 CFM)
10	Static Air Pressure	4.7/4.7 mmH ₂ O
11	Noise Level	42/46dBA
12	Motor Protection Type	BY IMPEDANCE
13	Life Expectancy	50000 Hours at Room Temperature
14	Operation Temperature	-20°C to +70°C
15	Net Weight	320 Grams
16	Packing	40 PCS Per Export Carton

1. Impeller : Thermoplastic PBT of UL 94V-0
2. Bobbin : Thermoplastic PA66 of UL 94V-0
3. Lead Wire : UL 1430 AWG#22
4. Housing : Die-cast aluminum

DIMENSIONS: mm



Performance Curve

