



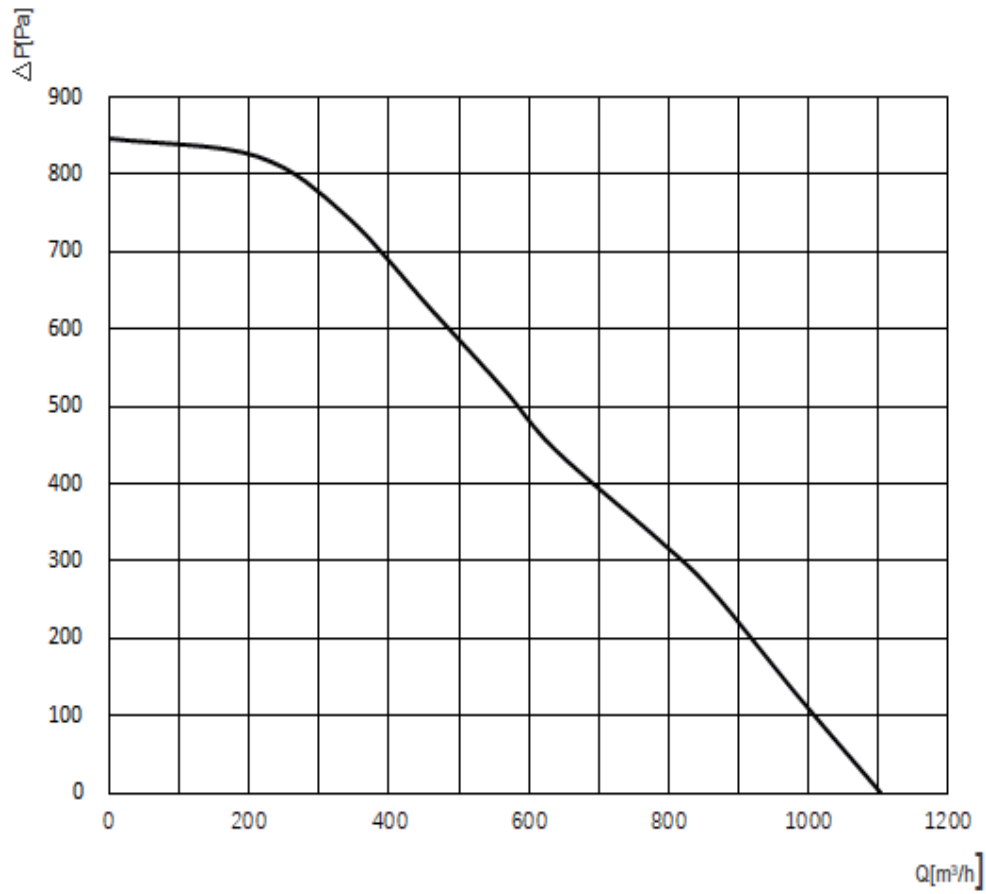
SPECIFICATION

MODEL
K-EC146-B230-32

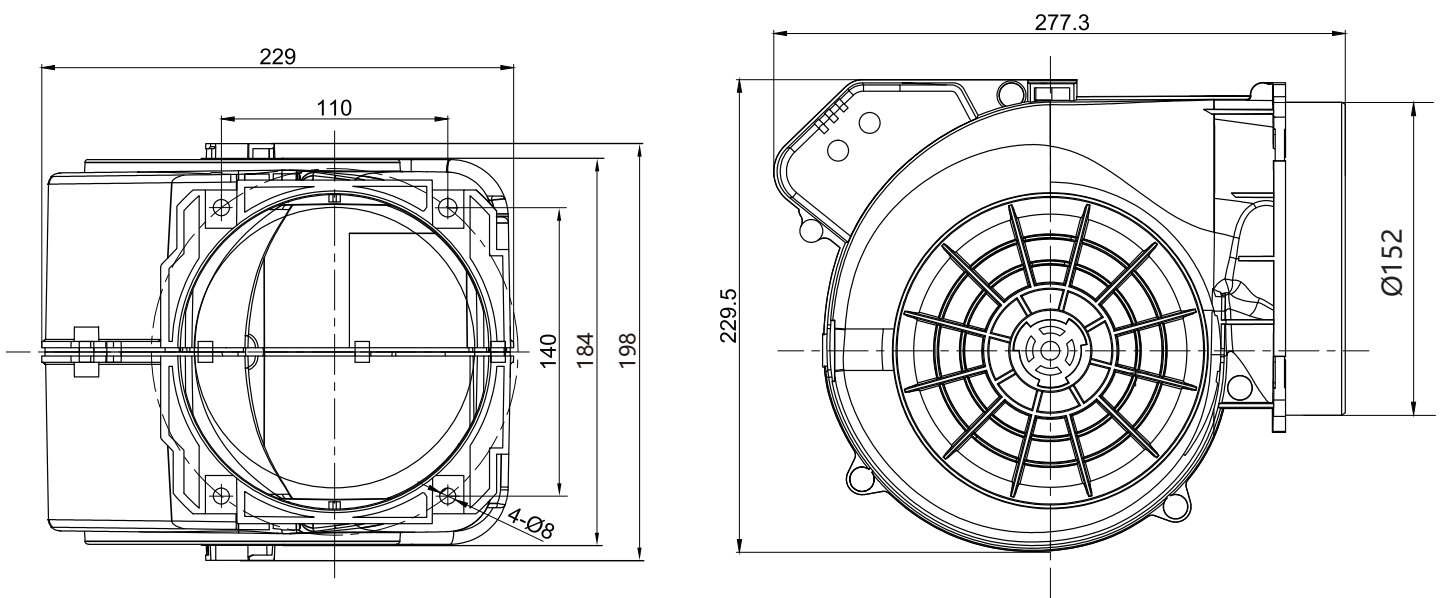
I、 Nominal data		
Phase	~	1
Nominal voltage	VAC	230
Frequency	Hz	50/60
Speed	RPM	3200
Max. Power input	V	220
Max. Current draw	A	1.6
Noise	dba	74
Certification	~	~
Min. ambient temperature	°C	-25
Max. ambient temperature	°C	60

II、 Technical features	
Size (L*W*H)	229.5*277.3*229mm
Material of impeller	Plastic
Direction of Impeller rotation	Clockwise (viewed from rotor)
Rotor surface treatment	Spray
IP rating	IP55
Insulation class	B
Operation mode	S1
Bearing-motor	Ball bearing
Motor protection	Locked rotor, thermal protection, high and low voltage protection
Lead length	500mm±20mm
RoHS	All parts are RoHS compliant.
Working humidity	5%-90%RH
Motor Type	Outer rotor EC motors
Axial runout of impeller	≤0.5mm
Impeller radial runout	≤0.5mm

III、Chart



IV、Product drawing



V、 Connection screen				
Lead	Connection		Color	Function
Power cord	P		Yellow Green	Earth Wire
	U1	L	Brown	Live Wire
	U2	N	Blue	Neutral Wire
Control wire	U4	+10V	Red	External output voltage +10V
	U5	0-10V speed regulation	Yellow	0-10V/PWM speed regulation
	U6	FG	White	Speed output 2 pulses/revolution
	U7	GND	Blue	Control wire earth

Power cord

Control wire

